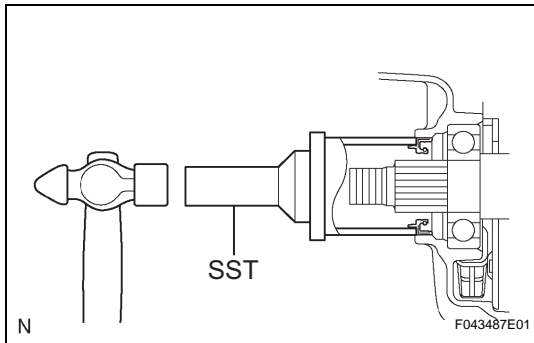


INSTALLATION

1. INSTALL TRANSFER CASE OIL SEAL

- (a) Coat the lip of a new oil seal with MP grease.
- (b) Using SST and a hammer, tap in the oil seal until its surface is flush with the case upper surface.
SST 09316-60011 (09316-00011)



2. INSTALL TRANSFER OUTPUT SHAFT COMPANION FLANGE OIL SEAL (for Front) (See page [TF-42](#))

3. INSTALL OUTPUT SHAFT COMPANION FLANGE SUB-ASSEMBLY (See page [TF-42](#))

4. INSTALL FRONT PROPELLER SHAFT ASSEMBLY (See page [PR-6](#))

5. INSTALL LOWER TRANSFER CASE PROTECTOR

- (a) Install the protector with the 4 bolts.
Torque: 18 N*m (183 kgf*cm, 13 ft.*lbf)

6. ADD TRANSFER OIL (See page [TF-7](#))

7. CHECK FRO TRANSFER OIL LEAKAGE (See page [TF-7](#))

