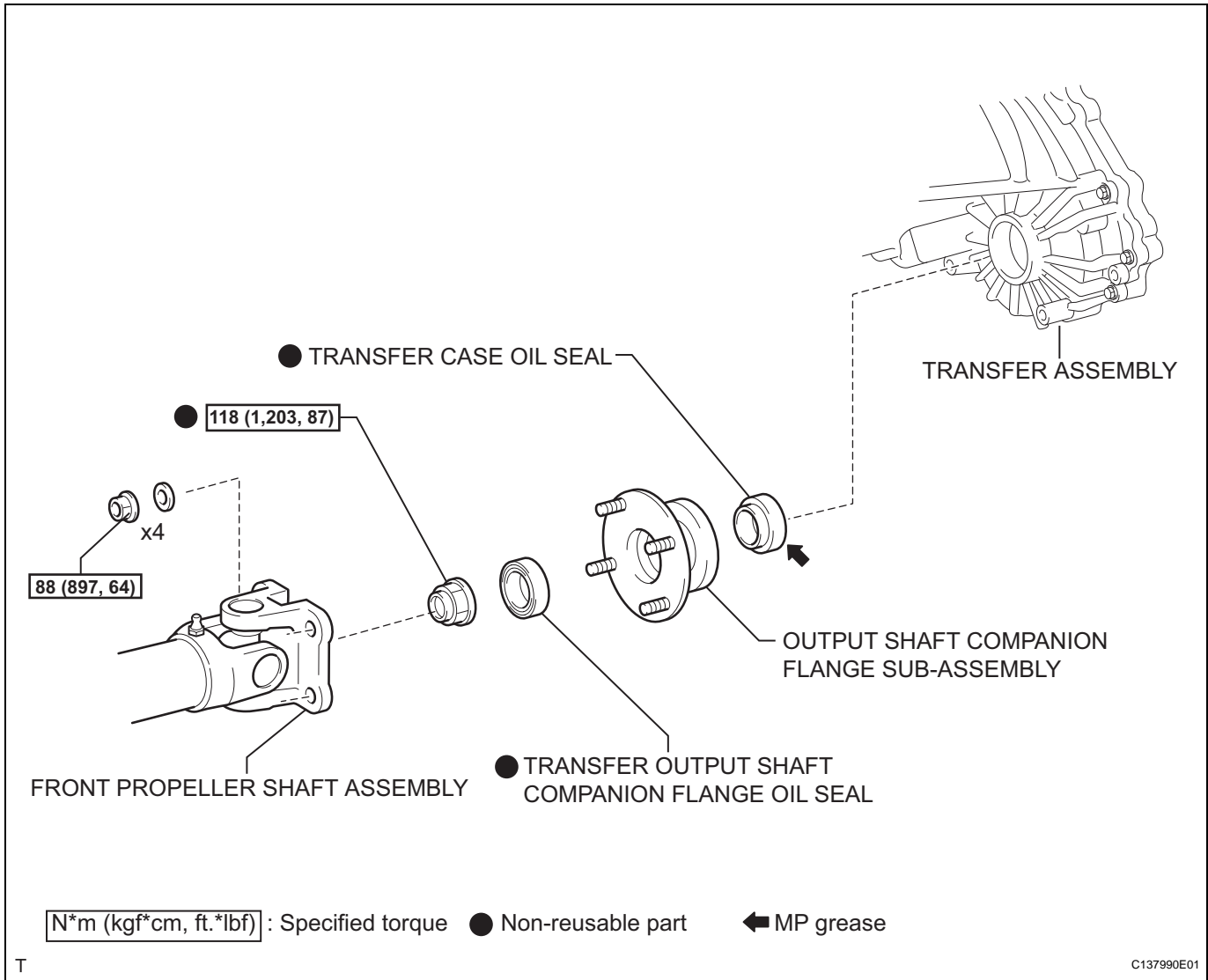


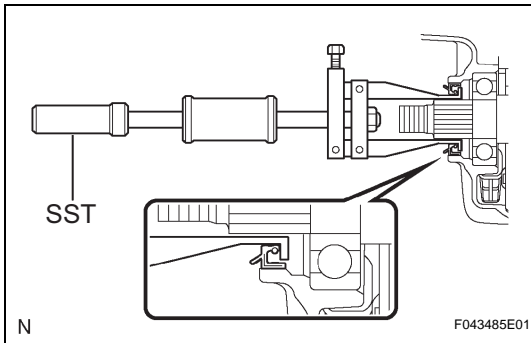
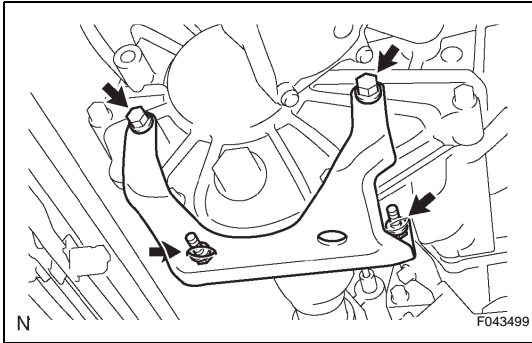
TRANSFER CASE OIL SEAL

COMPONENTS



REMOVAL

1. DRAIN TRANSFER OIL
2. REMOVE LOWER TRANSFER CASE PROTECTOR
(a) Remove the 4 bolts and protector.
3. REMOVE FRONT PROPELLER SHAFT ASSEMBLY
(See page [PR-2](#))
4. REMOVE OUTPUT SHAFT COMPANION FLANGE SUB-ASSEMBLY (See page [TF-20](#))
5. REMOVE TRANSFER OUTPUT SHAFT COMPANION FLANGE OIL SEAL (for Front) (See page [TF-21](#))



6. REMOVE TRANSFER CASE OIL SEAL
(a) Using SST, tap out the oil seal.
SST 09308-00010
NOTICE:
Be careful not to damage the oil seal and case front contact surface.