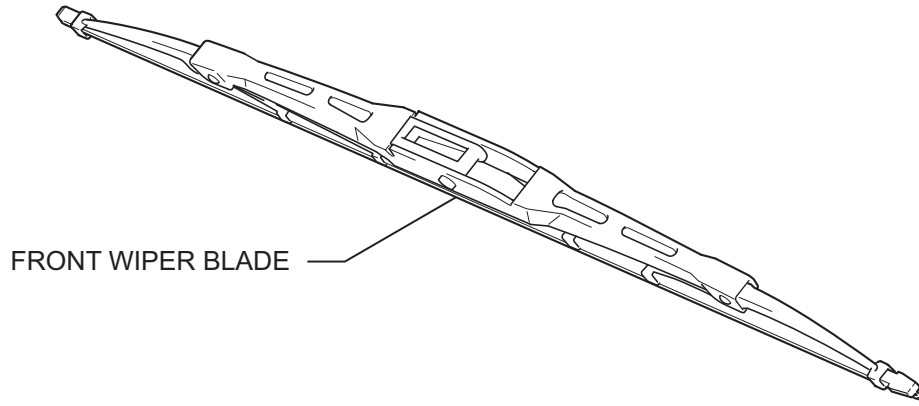
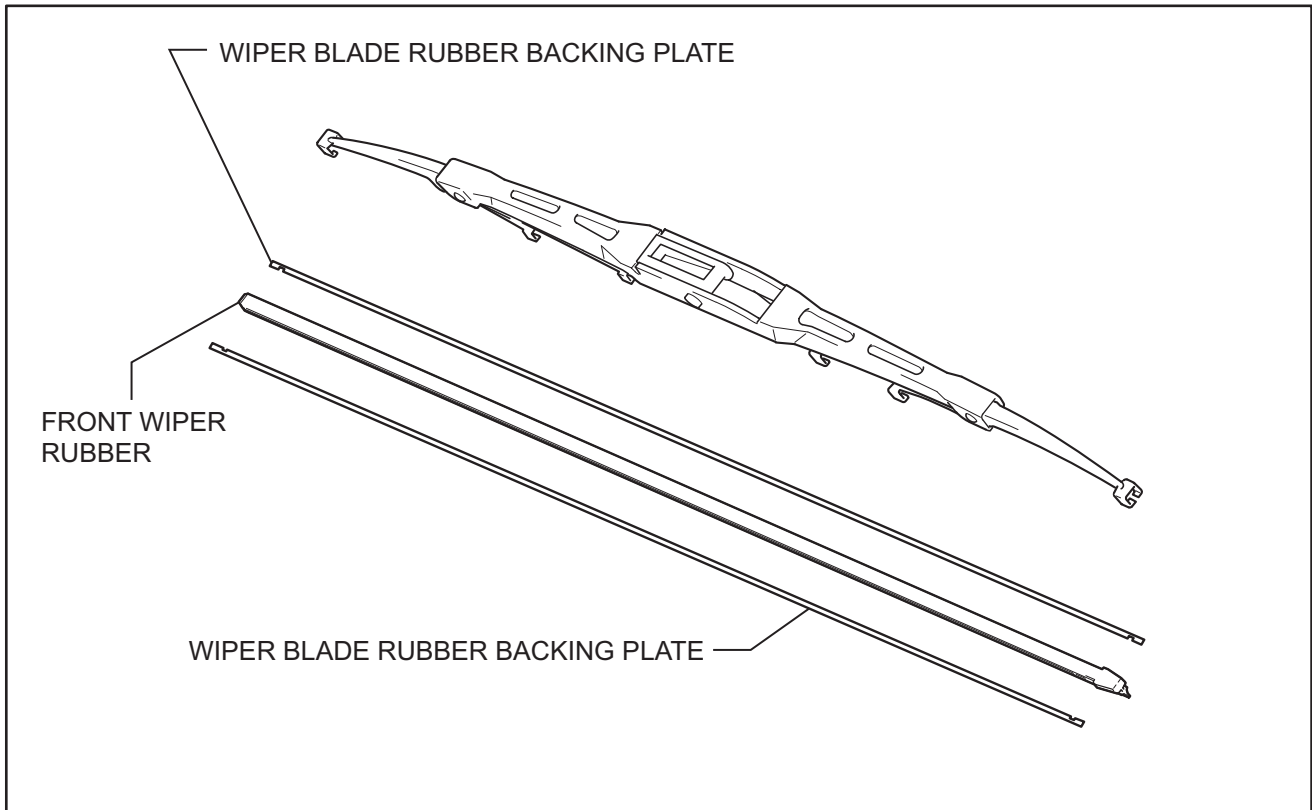


# FRONT WIPER RUBBER

## COMPONENTS



FRONT WIPER BLADE



WIPER BLADE RUBBER BACKING PLATE

FRONT WIPER RUBBER

WIPER BLADE RUBBER BACKING PLATE



## REMOVAL

**HINT:**

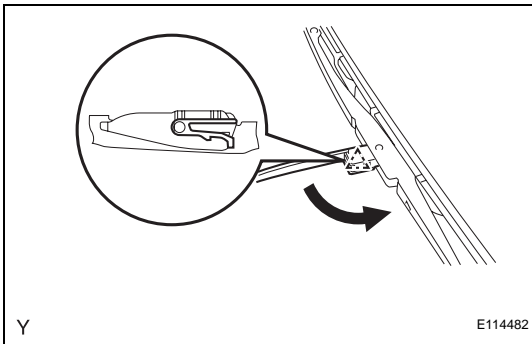
- Use the same procedures for both the RH and LH sides.
- The procedure described below is for the LH side.

**1. REMOVE FRONT WIPER BLADE**

- (a) Disengage the claw as shown in the illustration.

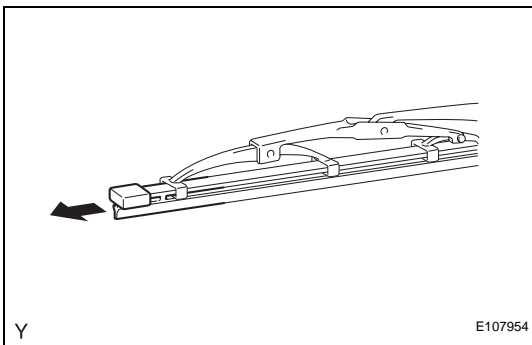
**NOTICE:**

**Do not fold the wiper arm with the wiper blade removed. The arm tip may damage the windshield surface.**

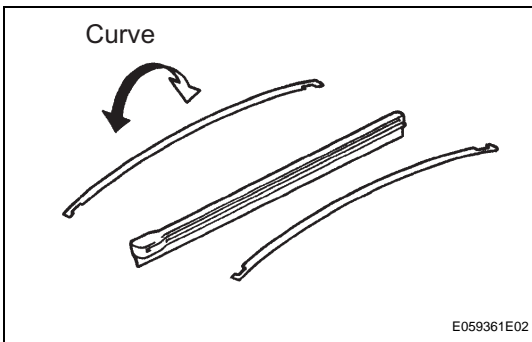


**2. REMOVE FRONT WIPER RUBBER**

- (a) Remove the wiper rubber from the wiper blade.



- (b) Remove the 2 wiper rubber backing plates from the wiper rubber.



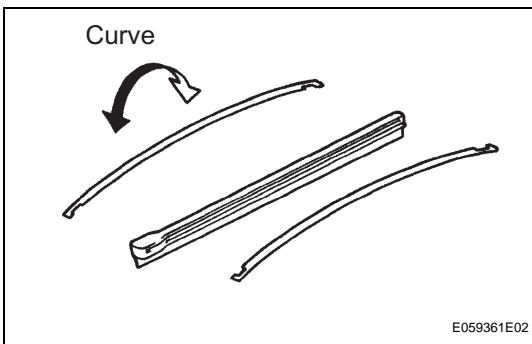
## INSTALLATION

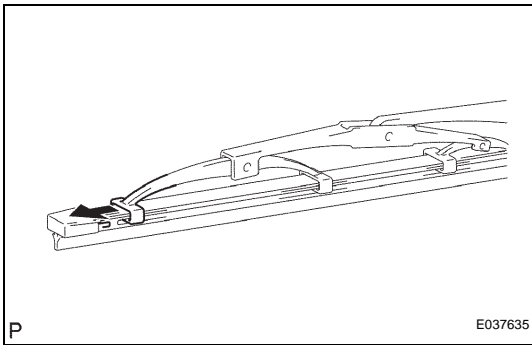
**1. INSTALL FRONT WIPER RUBBER**

- (a) Install the 2 wiper rubber backing plates onto the wiper rubber.

**NOTICE:**

**Install the backing plates facing the correct direction.**

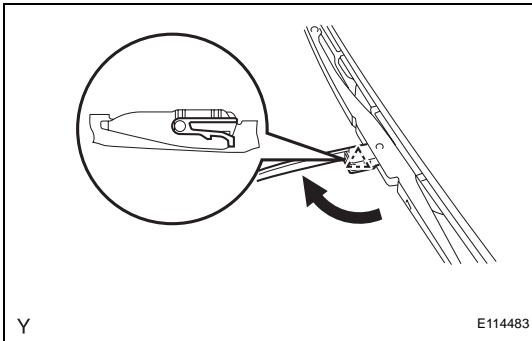




- (b) Install the wiper rubber with its head portion (swelled portion) facing the arm bearing.

**NOTICE:**

**Push the wiper blade into the grooves of the wiper rubber to attach it completely.**



**2. INSTALL FRONT WIPER BLADE**

- (a) Engage the claw and install the wiper blade.