

## REMOVAL

### 1. REMOVE FRONT WASHER NOZZLE

HINT:

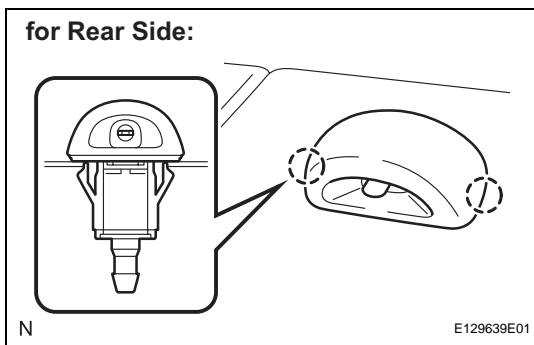
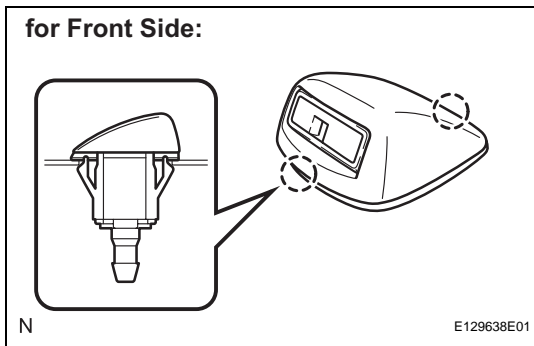
Use the same procedure as for the opposite side.

- (a) Disconnect the washer hose.
- (b) Using a screwdriver with its tip wrapped in protective tape, remove the washer nozzle.

### 2. REMOVE NO.1 REAR SPOILER COVER (w/ Rear Wiper) (See page [ED-50](#))

### 3. REMOVE REAR WASHER NOZZLE (w/ Rear Wiper)

- (a) Disconnect the washer hose.
- (b) Using a screwdriver with its tip wrapped in protective tape, remove the washer nozzle.



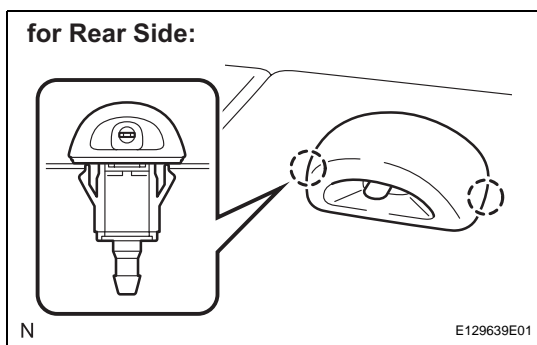
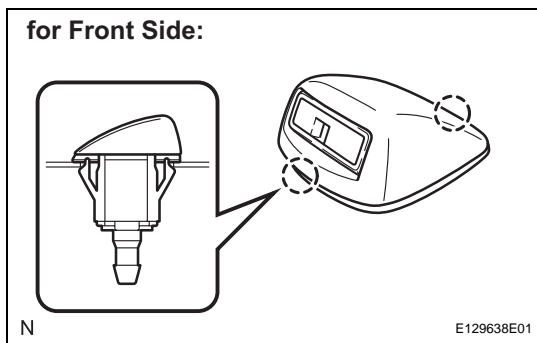
## INSTALLATION

### 1. INSTALL FRONT WASHER NOZZLE

HINT:

Use the same procedure as for the opposite side.

- (a) Connect the washer hose.
- (b) Install the washer nozzle.



### 2. INSTALL REAR WASHER NOZZLE (w/ Rear Wiper)

- (a) Connect the washer hose.
- (b) Install the washer nozzle.

### 3. INSTALL NO.1 REAR SPOILER COVER (w/ Rear Wiper) (See page [ED-55](#))