

Preparation

Part Number: PT904-35070

NOTE: Part number of this accessory may not be the same as the part number shown.

Kit Contents (5 wheels required per vehicle)

Item #	Quantity Req'd.	Description
1	1	16"x 7.5" Painted Alloy Wheel
2	1	Center Cap w/TRD Logo
3	1	Valve Stem Assembly

Hardware Bag Contents

Item #	Quantity Req'd.	Description
1	6 per wheel	Chrome Flat Seat Lug Nuts

Additional Items Required For Installation

Item #	Quantity Req'd.	Description
1	As Required	Balance Weights, Stick-on Type (Hoffman Standard) AND Clip-on Type.
2	5	16" BF Goodrich All-Terrain Tires LT 265/75R16 P/N DT001-35070-BF
3	1	Tire Pressure Label P/N 00602-35060
4	1	Owner's Manual Label P/N 00602-35061

Conflicts

--

Recommended Tools

Personal & Vehicle Protection	Notes
Safety Glasses	
Seat Protection	Blanket
Special Tools	Notes
Wheel Balancing Machine	Hunter GSP9700 or equivalent
Tire Mounting Machine	Hunter TC3250 or equivalent
Bead Lever Protective Sleeve	Hunter RP6-0326 or equivalent
Centering Cone	Hunter 192-51-2 or equivalent
Foot Brake Application Tool	Snap-on B240A Pedal Jack or equivalent
Tire Pressure Gage	0 to 60 PSI

Installation Tools	Notes
Lug Nut Wrench	
Rubber Mallet	
Torque Wrench	0-150 ft-lbf (0- 203 N-m)
Socket	21 mm Deep Well
Clean Lint-free Cloth	
Nylon Panel Removal Tool	e.g. Panel Pry Tool #1 Toyota SST # 00002-06001-01
3M™ 2001 High Performance Wipes	(Long Beach only)
Special Chemicals	Notes
Tire Lube	
Cleaner (for rework only)	Soap & Water Mixture (Long Beach Only) 3M™ Prep Solvent-70

General Applicability

Applicable to FJ Cruiser
Use with BFG All-Terrain Tire LT265/75 R16

Recommended Sequence of Application





Item #	Accessory
1	Alloy Wheel & BFG All-Terrain Tire
2	Wheel Lock

*Mandatory

Vehicle Service Parts (may be required for reassembly)

Item #	Quantity Req'd.	Description
1		
2		

Legend

	STOP: Damage to the vehicle may occur. Do not proceed until process has been complied with.
	OPERATOR SAFETY: Use caution to avoid risk of injury.
	CAUTION: A process that must be carefully observed in order to reduce the risk of damage to the accessory/vehicle and to ensure a quality installation.
	TOOLS & EQUIPMENT: Used in Figures calls out the specific tools and equipment recommended for this process.

Care must be taken when installing this accessory to ensure damage does not occur to the vehicle. The installation of this accessory should follow approved guidelines to ensure a quality installation.

These guidelines can be found in the "Accessory Installation Practices" document.

This document covers such items as:-

- Vehicle Protection (use of covers and blankets, cleaning chemicals, etc.).
- Safety (eye protection, rechecking torque procedure, etc.).
- Vehicle Disassembly/Reassembly (panel removal, part storage, etc.).
- Electrical Component Disassembly/Reassembly (battery disconnection, connector removal, etc.).

Please see your Toyota dealer for a copy of this document.

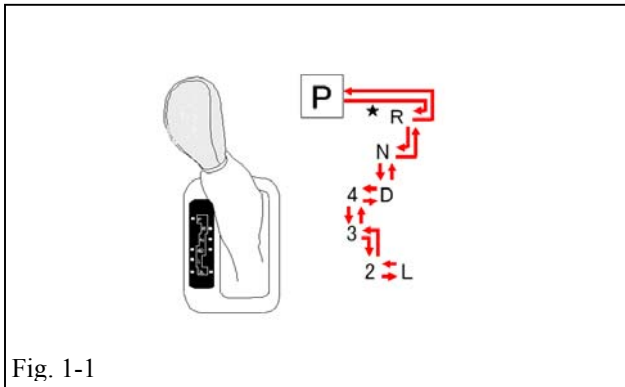


Fig. 1-1

1. Vehicle Preparation.

(a) Verify that all components are present before beginning accessory installation. See page 1 Kit Contents, Hardware, Additional Items Required, and Recommended Tools.



(b) Firmly apply parking brake.



(c) Put automatic transmission in "P".
(Fig. 1-1).

(d) Put manual transmission in "R".

(e) Add seat protection (blanket) and apply foot brake using foot brake application tool.
(Fig. 1-2).

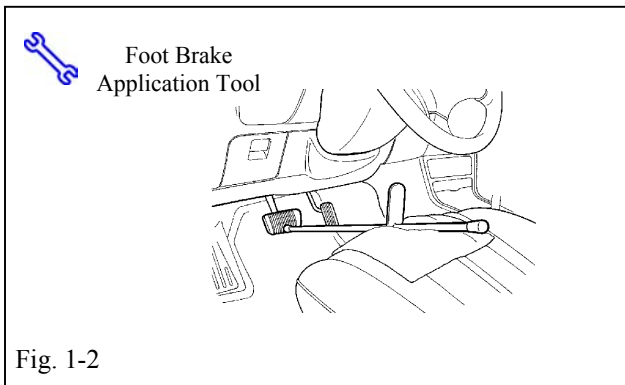


Fig. 1-2

(f) Remove OE spare wheel and tire assembly.
(Fig. 1-3) Wear safety glasses while removing wheels.

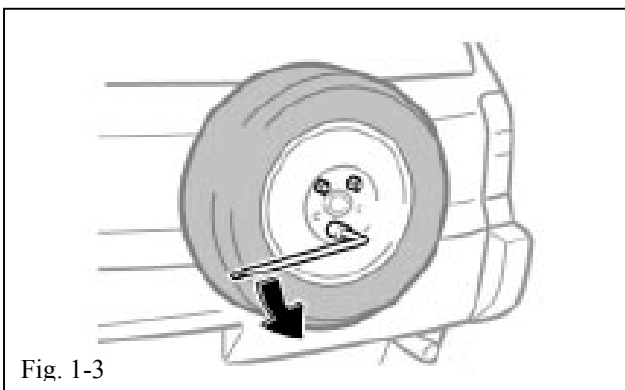


Fig. 1-3

(g) Carefully lift vehicle.

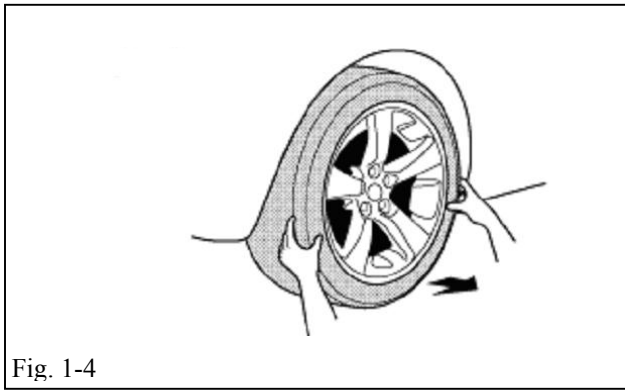


Fig. 1-4

- + (h) Remove remaining 4 OE wheel and tire assemblies from vehicle (Fig. 1-4). Wear safety glasses while removing wheels.
- (i) Keep ALL OE lug nuts with the OE take off wheels, for disposition later, per local regulations.

2. Tire Mounting.

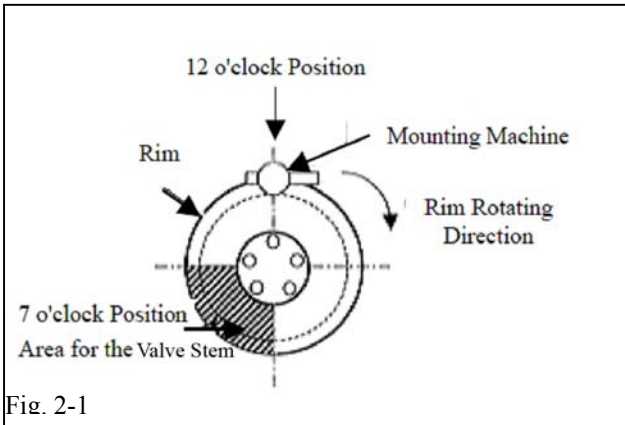


Fig. 2-1

- (a) Mount LT 265/75R16 BF Goodrich All-Terrain tires (P/N DT001-35070-BF) on 16" TRD accessory alloy wheels, with **white letters facing outward**.
- (b) Position the wheel on the mounting machine with the valve stem at ~ 7 o'clock position (shaded area in Fig. 2-1).
 - (1) Mount/dismount head is considered as 12 o'clock Position.

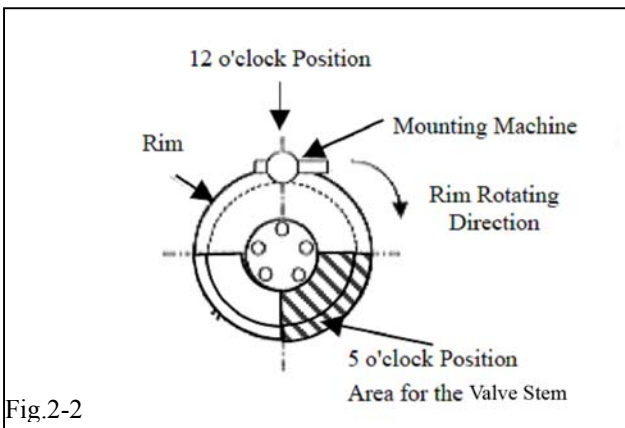
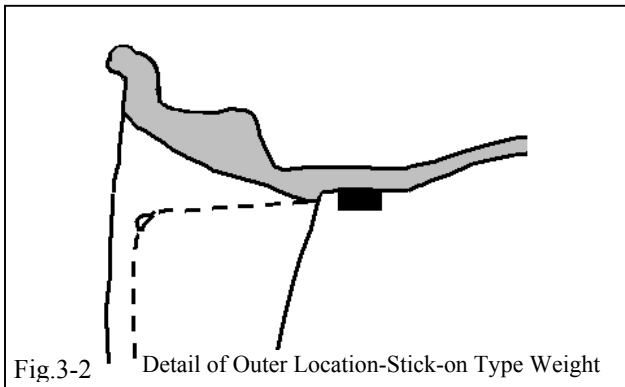
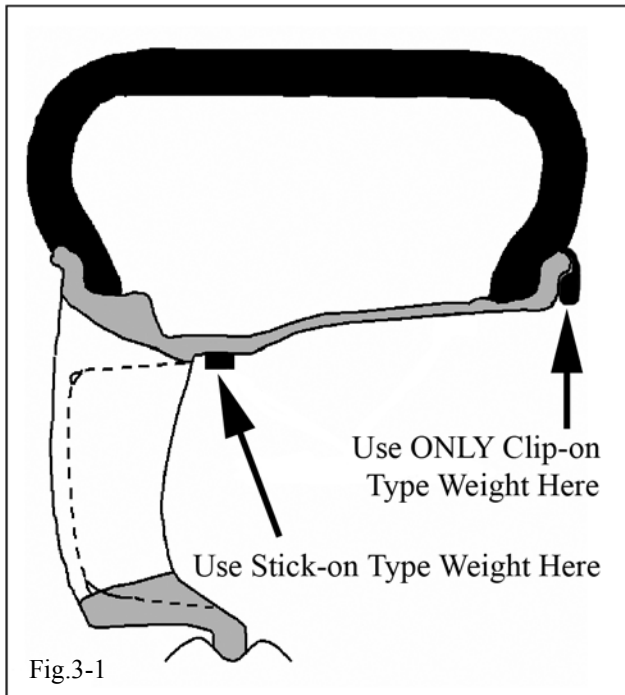


Fig.2-2

- (c) Install valve stem into wheel.
- (d) Use tire lube on tire bead and bead location on wheel prior to mounting the tire.
- (e) Mount the lower tire bead.
- (f) Re-position the wheel on the mounting machine with the valve stem at ~ 5 o'clock position (shaded area in Fig. 2-2)
- (g) Mount upper tire bead.

- + (h) To seat tire bead, inflate tire beyond **35 PSI** but not more than the maximum tire bead seat pressure indicated on the tire sidewall. If it is not indicated use 40 PSI as a limit. If tire bead is not seated when pressure registers 40 PSI, deflate the tire and re-inflate to seat the bead. Regulate tire pressure to **35 PSI**.
- (i) Repeat steps (2 a thru 2 h) until all 5 tires are mounted.



3. Wheel Balancing.

NOTES: Application temperature for stick-on type weight is above 10°C (50°F). It is good practice to apply the stick-on type in sections comprised of no more than 5 or 6 individual weight segments if possible.

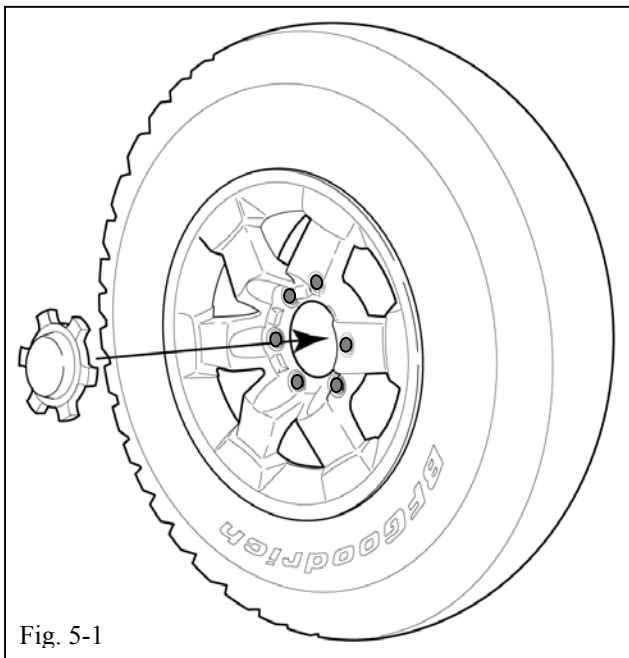
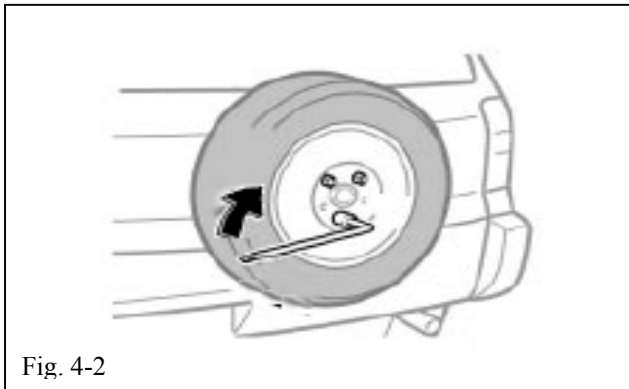
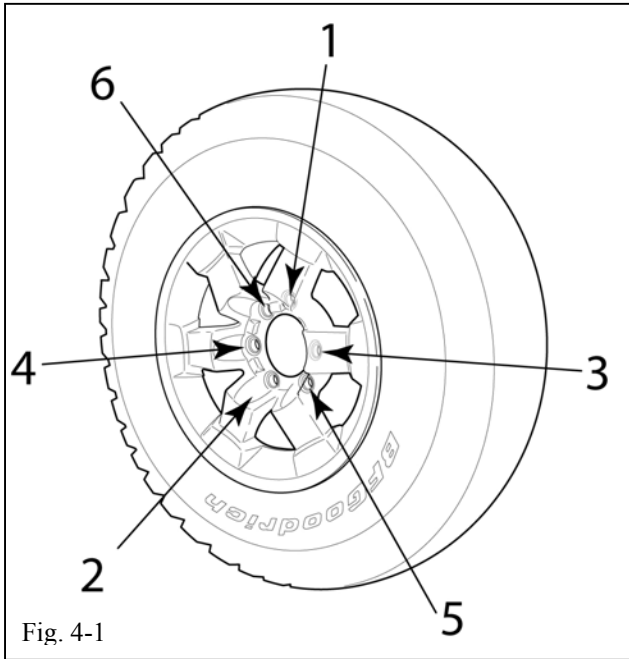
- (a) Mount wheel /tire on wheel balance machine and balance in DYNAMIC MODE. Enable the LOAD ROLLER, if applicable, to ensure proper bead seating. Use stick-on type weights on outer plane only. (Figs. 3-1 & 3-2) **Use ONLY clip-on weights for the inner plane. This is REQUIRED for proper brake caliper clearance.**



- (b) Prior to mounting stick-on weight, wipe down the mounting location on wheel with a clean lint-free dry cloth. Ensure that the location is clean and dry. Apply stick-on type weights at perimeter location identified by dynamic balance machine as shown. Use rubber mallet, if required, to achieve complete adhesion of stick type-on weight.



NOTE: Maximum clip-on/stick-on type weight is 200g inner and 200g outer. If removal and replacement of stick-on type weight is necessary, then remove the weight using a nylon removal tool. Clean the surface with clean cloth using 3M Prep Solvent-70 or equivalent as allowed by local regulations. (Long Beach uses a Soap & Water Mixture.) Wipe the surface dry before re-applying a new weight. (DO NOT RE-USE STICK-ON WEIGHTS.)

- (c) Re-spin the wheel on the machine with LOAD ROLLER DISABLED (if applicable) and note the indicated remaining unbalance. The maximum permitted unbalance is 8g at inner and 8 g at outer location. If the indicated unbalance is not within permissible limit, carefully remove the balance weights using the nylon removal tool (for stick-on




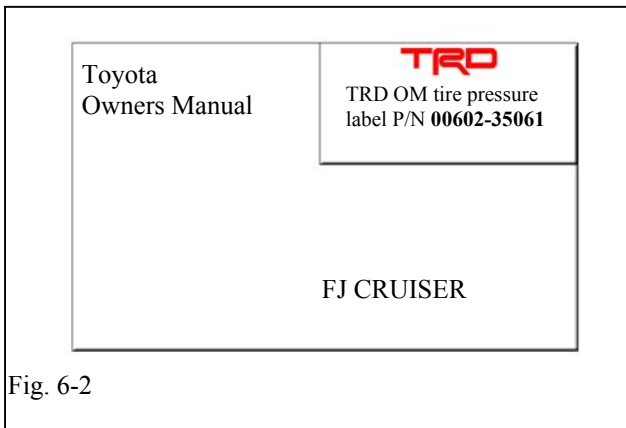
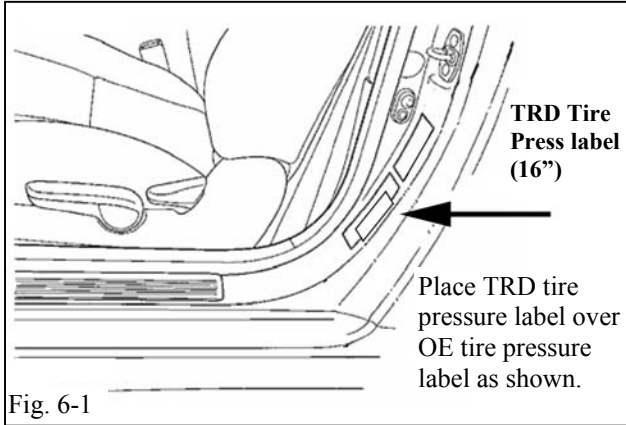
type weight) and re-balance the tire/wheel assembly.

4. Vehicle Wheel / Tire Installation.

-  (a) Install 4 TRD wheel and tire assemblies on vehicle. Hand-start the TRD lug nuts during installation. Tighten lug nuts in sequence 1 through 6 (Fig. 4-1). Ensure that the socket does not scuff the wheel. Tighten to **82 ft-lbf** (112N-m) using a torque wrench.
- (b) Lower the vehicle.
-  (c) Recheck lug nut torque.
- (d) Install spare tire on the vehicle using 3 TRD lug nuts provided with TRD wheel. (Fig 4-2) Tighten to **65 ft-lbf** (88 N-m) using a torque wrench. NOTE: you will have 3 extra TRD lug nuts and all OE lug nuts remaining after TRD wheel installation. Discard the 3 extra TRD lug nuts and keep all the OE lug nuts with the OE take-off wheels per local regulations.
- (e) Tire pressures should be adjusted to **35 PSI** minimum, for this vehicle. Install valve stem caps if not already in place.

5. Center Cap Installation.

-  (a) Install TRD center caps onto all 5 wheels. Align center cap and then gently push cap into wheel until cap snaps into place. (Fig. 5-1).



6. Tire Pressure Labels.

- (a) Clean the surface and a small area around the OE tire pressure label located on the driver's side door jamb.
- (b) Align the TRD 16" wheel Tire Pressure Label (P/N 00602-35060) over the OE tire specification portion of the OE label. Do NOT cover any of the OE label text. Cover ONLY the red boxes containing the OE tire size and pressure information.

NOTE: There may be some overhang of the TRD label off of the bottom edge of the OE label. This is OK and acceptable. (Fig. 6-1) This label is required per federal regulations.

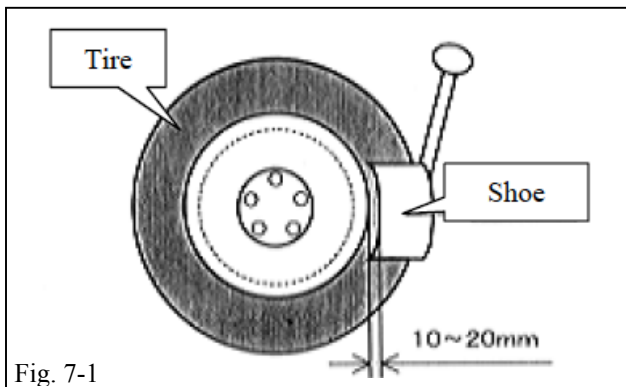


- (c) Firmly affix the 16" tire pressure label.
- (d) Install Owner's Manual Label (P/N 00602-35061) onto upper right front cover of owner's manual. (Fig. 6-2) NOTE: Be sure NOT to cover any existing text or information.

7. Take-Off Wheel




- (a) Refer to PPO Bulletin 05-013 for take-off wheel handling instructions as needed.
- (b) Dismount OE tire from the OE wheel.
- (c) Sort product properly according to local regulations.



TOYOTA FJ CRUISER 2007 - TRD ALLOY WHEEL
Checklist - these points **MUST** be checked to ensure a quality installation.

Check: _____

 Inspect lug nuts.

 Correct Tire Pressure

Tire Pressure Labels

Look For: _____

Six (6) TRD lug nuts must be installed on each wheel, while only Three (3) TRD lug nuts hold on the spare wheel to its carrier. Chassis wheels should be tightened to 82 ft-lbf (112 N-m) using a torque wrench. Spare wheel should be tightened to 65 ft-lbf (88 N-m) using a torque wrench.

Verify tire pressure is: **35 PSI**. Verify all 5 tire pressures are at specification.

Ensure Tire Pressure Label and Owner's Manual Labels are in place.